

RUUKKI

Ruukki Finnera™

The most intelligent roof ever seen.





Finnera's new and innovative design makes your steel roof not only beautiful but also extremely durable and practical. The revolutionary front-edge folding within the product maximizes weather resilience and enables an admirable seamless roof finish, even with modular sheet format. This means you get top quality in a fully standardized stock-ready package, making your whole roofing project as easy and fluent as possible. You have less to worry about, that is.

Finnera suits all kinds of roof construction needs. It is sold in installation-ready components straight from the warehouse, which makes your roofing project easier and faster. Finnera adapts to all roof shapes and sizes.

A steel roof never goes out of style.

Steel is a timeless choice. Its use has long traditions, and its appearance and properties make it the most modern roofing material.

Ruukki's steel roofs are known for the marriage of form and function that is characteristic of Scandinavian design. This makes them practical and beautiful, and easy to maintain. They are also light, which makes them ideal for renovation construction too.

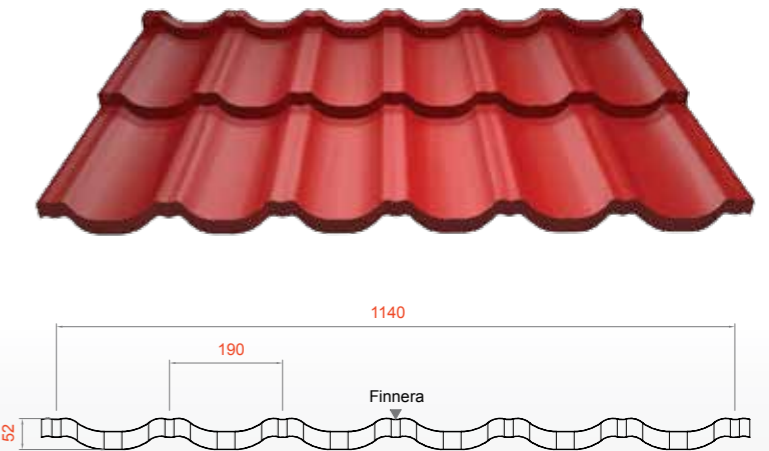


Quality that survives the test of time.

Your home is precious – and it is important that you have a roof that provides matching value. Ruukki's steel roofs protect your home in all circumstances. They are also aesthetically pleasing and timelessly stylish. And what's important, Ruukki's high-class steel roof makes your home even more valuable.

Technical specifications

Name	Finnera™
e-code	TS52-330-1140
Total height	52 mm
Length of pattern	330 mm
Total width	1190 mm
Total length	725 mm
Thickness	0.50 mm
Weight per piece	3.90 kg
Sales unit	pieces
Weight on roof	5.20 kg/m ²
Area on roof	0.75 m ² /pcs
Effective width	1140 mm



Material

Hot galvanized steel sheet	SFS-EN 10326
Minimum zinc amount	275g/m ²
Coated steel flat products	SFS-EN 10169-1 SFS-EN 10169-2

Tolerance

Product	SFS-EN 508-1
Material	SFS-EN 10143

Colours

- Red (RR29)
- Dark brown (RR32)
- Black (RR33)

Designed for demanding climates.

Our roofs are designed for demanding climates and withstand years of fluctuating conditions, from summer heat and autumn rains to ice-cold winter. By choosing Ruukki, the building will have a beautiful roof that lasts for decades.

A key advantage is our unique surface treatment, i.e. the color coating. The coating gives the surface unparalleled durability, effectively protecting it from corrosion due to humidity, and also ensures that the color will not fade due to the sun's UV radiation. We do not just say this; instead we openly assign a generous product warranty for aesthetic and functional performance.



Design with all parts fitting seamlessly together.

Ruukki's roofs are beautiful, durable and easy-care. And when you include our flashings, rainwater systems, roof safety products and other accessories in your purchase, you will have a package that is stylish and functional down to the very last detail.

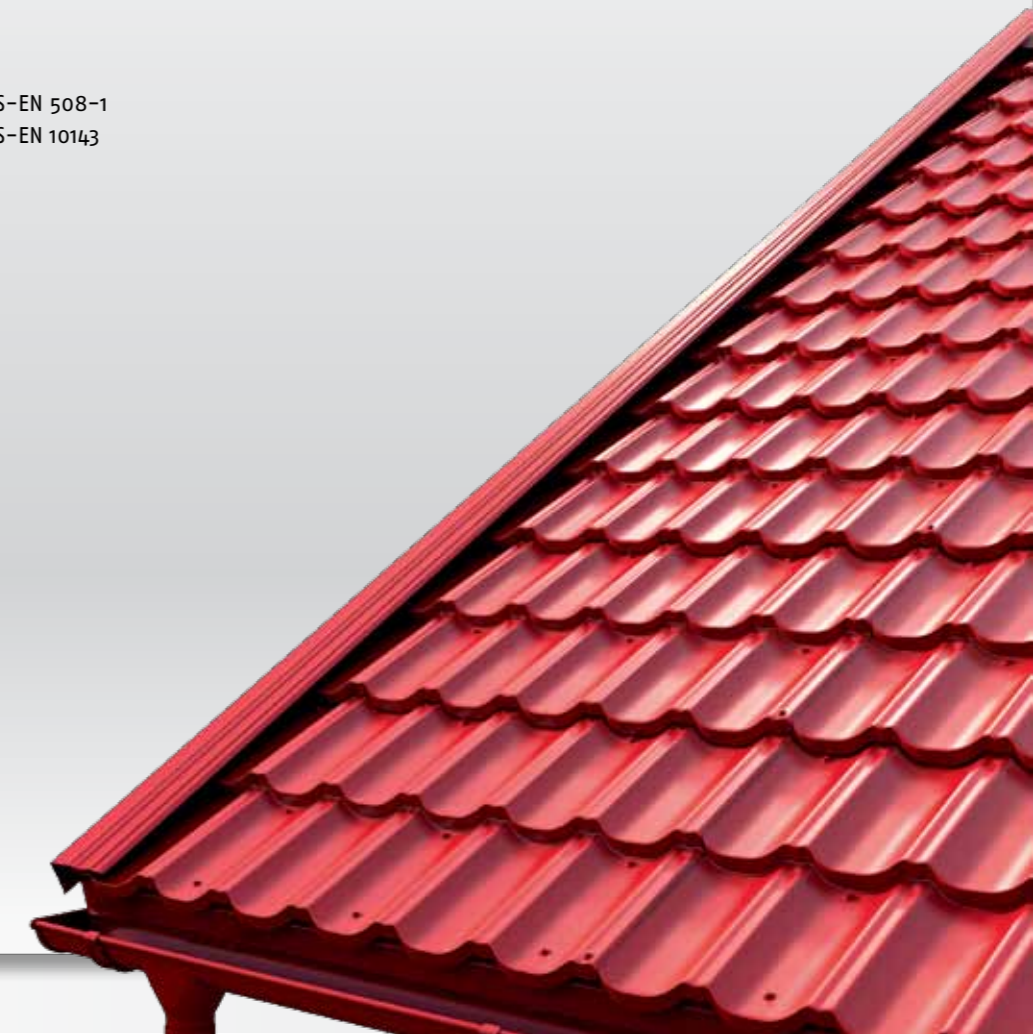


Ruukki at your service.

Ruukki is one of the leading brands within residential roofing business in European area. We have production and sales activities throughout Europe in over 26 countries.

In addition Ruukki is a metal expert you can rely on all the way, whenever you need metal-based materials, components, systems and integrated systems.

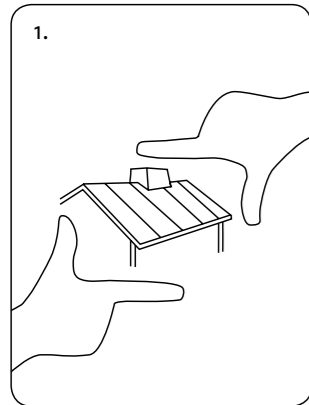
For more information about our products and services regarding residential roofing visit www.ruukkihome.com or contact your local distributor.



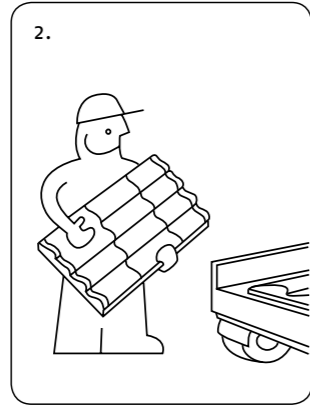
A quality roof you can take-away.

Finnera is sold in installation-ready components straight from the stock, including necessary accessories. Purchases can be flexibly complemented with additional sheets and components. This means that precise measurements need not be submitted with the order.

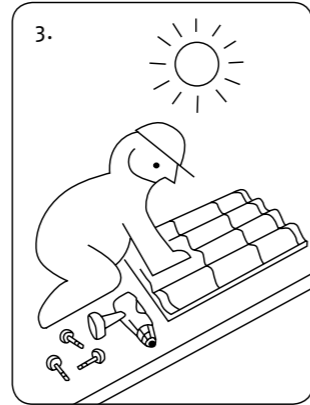
Components are designed to fit perfectly together. They are also easy to stock, transport and handle. All this enables smooth purchasing process, easy installation and a high-quality end-result.



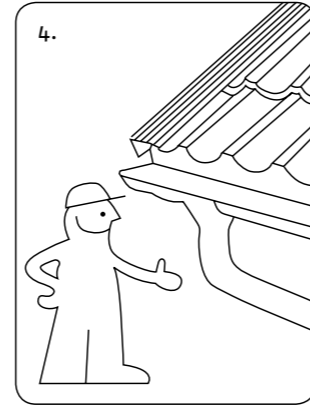
1. Estimate the surface area you need.



2. Pick up installation-ready components.



3. Follow the clear instructions and install the roof.

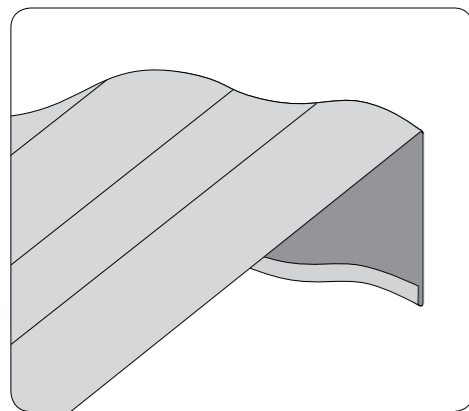


4. Relax. Getting a steel roof has never been this easy.

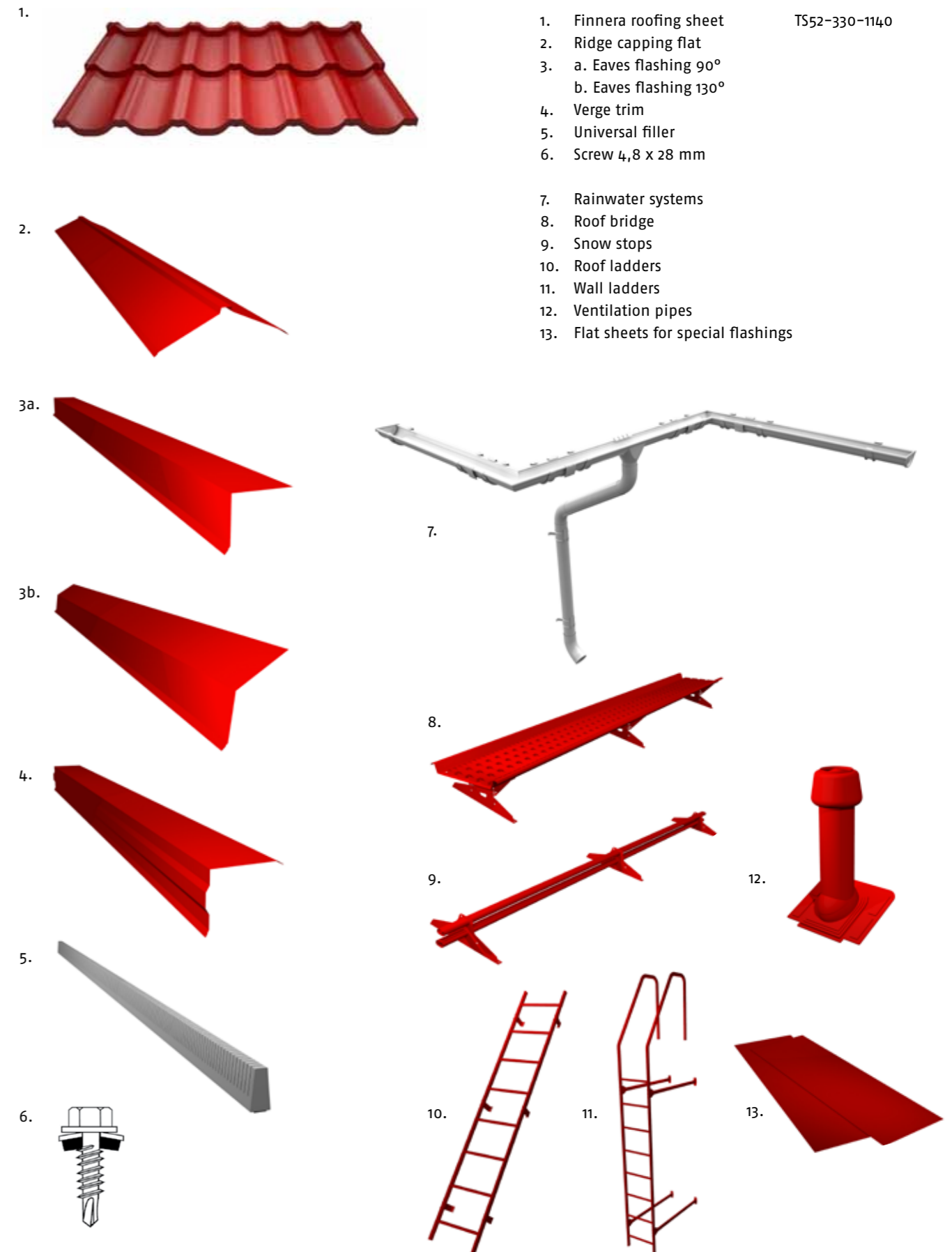
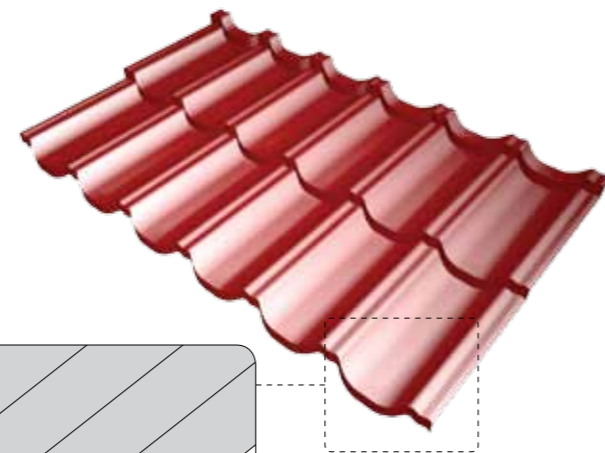
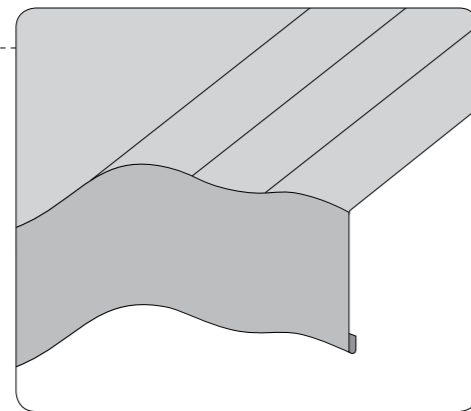
New innovative design.

The revolutionary front-edge folding within the product maximizes weather resilience and enables an admirable seamless roof finish, even with modular sheet format.

Edge folding. Back.



Edge folding. Front.



- 1. Finnera roofing sheet TS52-330-1140
- 2. Ridge capping flat
- 3. a. Eaves flashing 90°
b. Eaves flashing 130°
- 4. Verge trim
- 5. Universal filler
- 6. Screw 4,8 x 28 mm
- 7. Rainwater systems
- 8. Roof bridge
- 9. Snow stops
- 10. Roof ladders
- 11. Wall ladders
- 12. Ventilation pipes
- 13. Flat sheets for special flashings

